







KOALA


L I V I N G

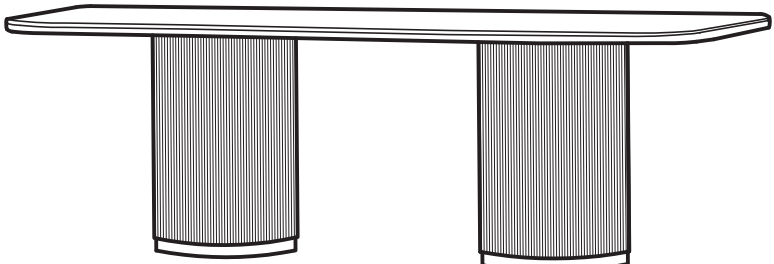
Assembly Instruction

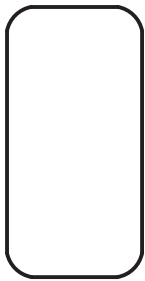
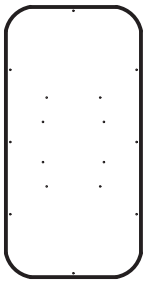
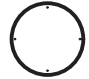
Product Name: San Pierre Light Brown Ash Veneer Two-Leg Rectangular Dining Table
Travertine Finish Sintered Stone Top - 270x120cm

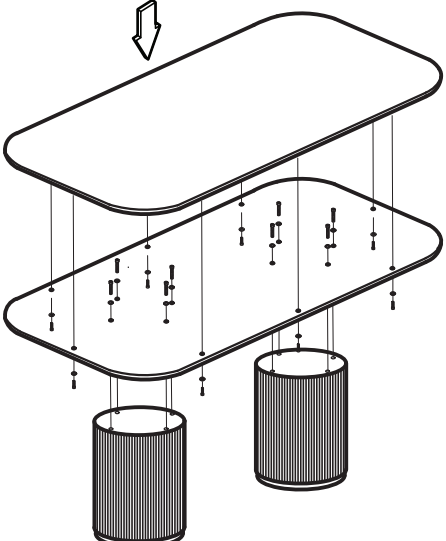
Product Id: 129964

Hardware List			
A		Allen Key 5mm	1 pc
B		Allen Bolt 8*40	8 pcs
C		Washer 8*19	8 pcs
D		Allen Key 4mm	1 pc
E		Allen Bolt 6*25	10 pcs
F		Washer 6*16	10 pcs





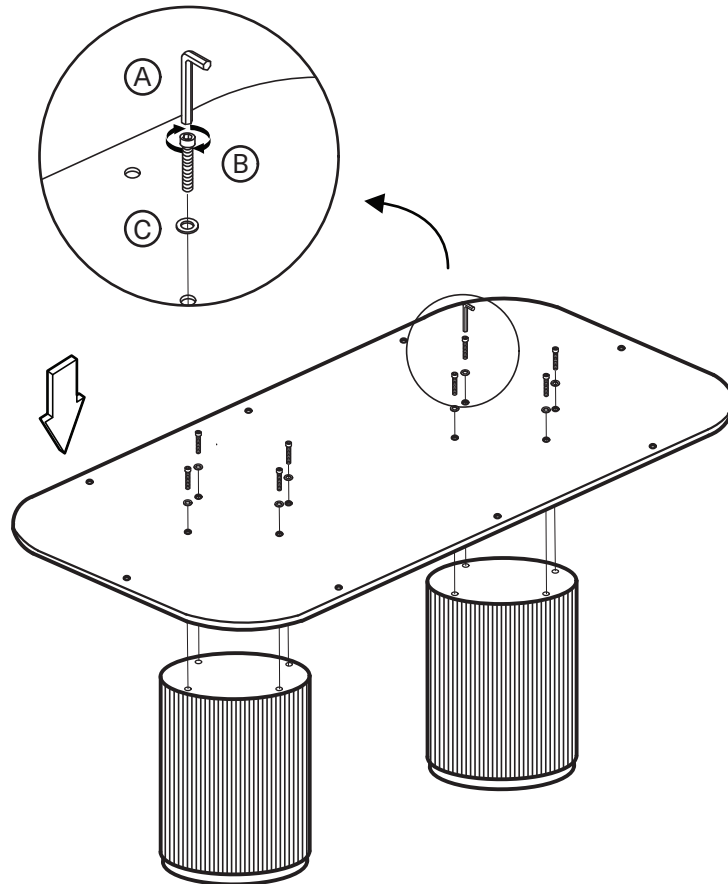
Part List		
		
1 pc	1 pc	2 pcs



Note

1. Assemble the item on a soft, well-lit surface like cardboard or carpet.
2. For safety and efficiency, it's best to have two or more people assist with assembly to handle heavy parts safely and collaborate effectively.
3. Do not discard any packaging materials until assembly is complete.
4. Before assembling the item, carefully read all provided instructions.
5. Handle tools with care during assembly to prevent injuries.

1



2

