

KOALA





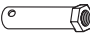

L I V I N G

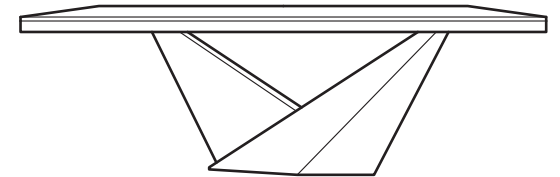
Assembly Instruction

Product Name: Vania Statuario White Sintered Stone Dining Table
Brushed Bronze Legs 268x118cm

Product Id: 130020

Hardware List

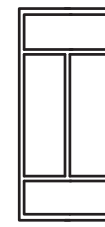
- | | | | |
|---|---|---------------------|--------|
| A |  | Allen Key 5mm | 1 pc |
| B |  | Allen Bolt M8*60 | 4 pcs |
| C |  | Washer Ø20*8 | 4 pcs |
| D |  | Nut M8 | 4 pcs |
| E |  | Bolt M8 | 1 pc |
| F |  | Silicone Cap | 10 pcs |



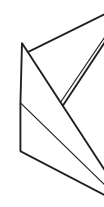
Part List



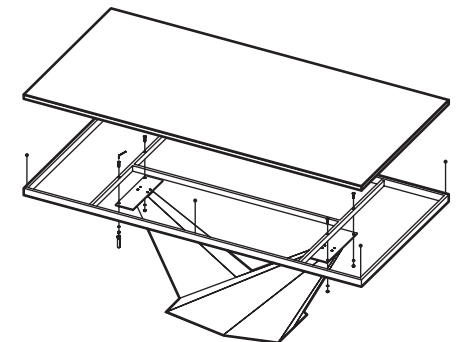
1 pc



1 pc



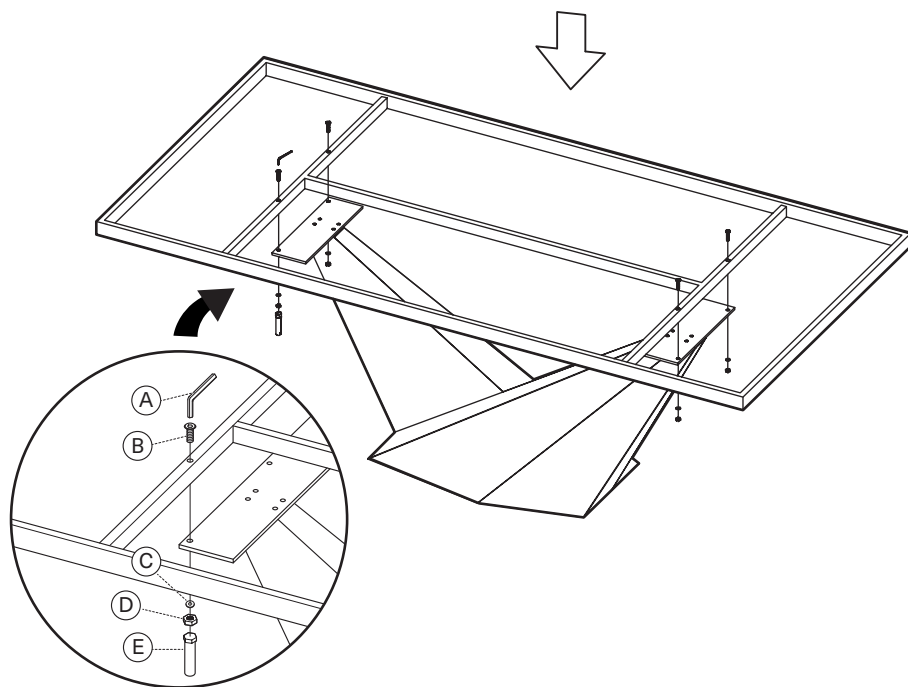
1 pc



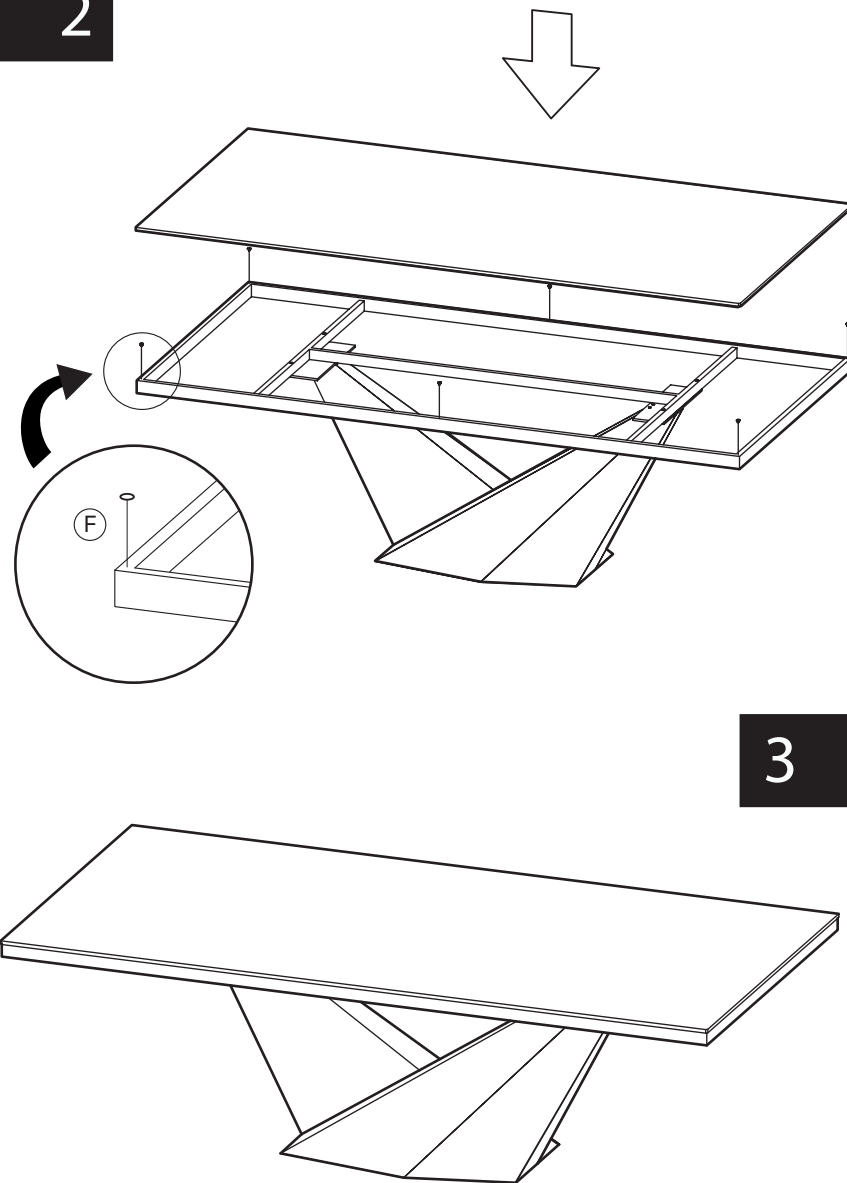
Note

1. Assemble the item on a soft, well-lit surface like cardboard or carpet.
2. For safety and efficiency, it's best to have two or more people assist with assembly to handle heavy parts safely and collaborate effectively.
3. Keep all packaging materials intact until assembly is complete.
4. Before assembling the item, carefully read all provided instructions.
5. Handle tools with care during assembly to prevent injuries.

1



2



3