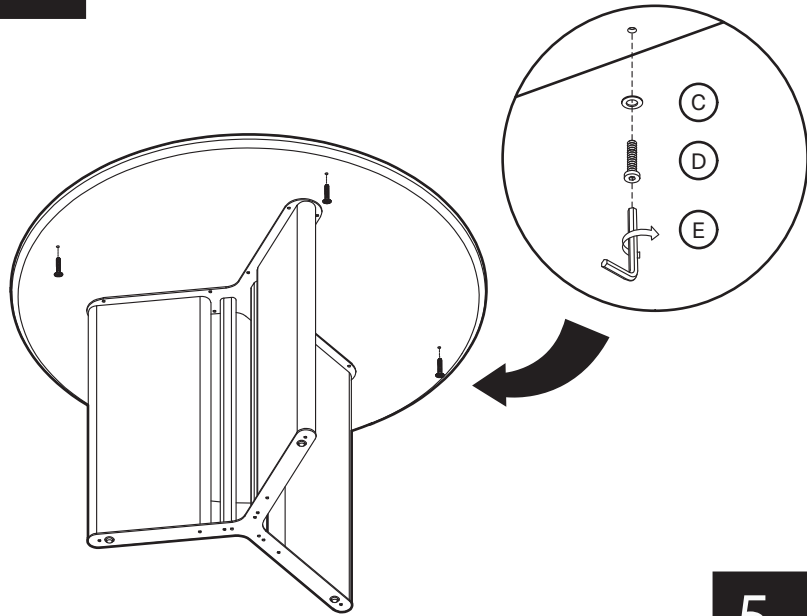
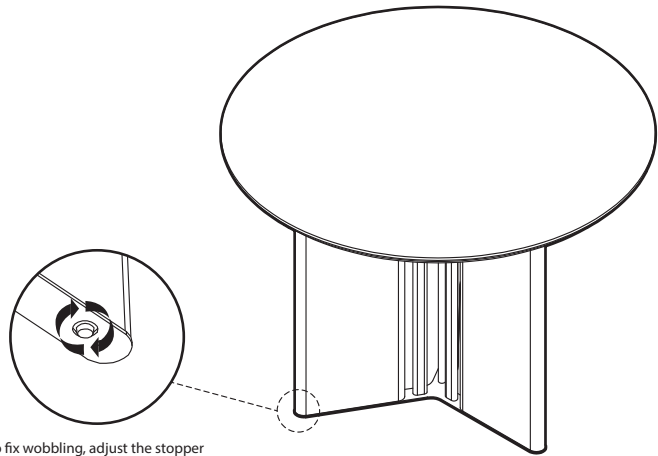


4



5



To fix wobbling, adjust the stopper underneath the table

# KOALA

L I V I N G

## Assembly Instruction

Product Name: Sir Lionell II Gliding White Sintered Stone Round Dining Table  
Walnut Brown Wooden Legs 120cm

Product Id: 130246

### Hardware List

A		Allen Bolt 8*25	12 pcs
B		Allen Key 5mm	1 pc
C		Washer 6*16	4 pcs
D		Allen Bolt 6*25	4 pcs
E		Allen Key 4mm	1 pc



### Part List

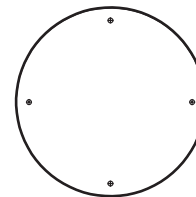
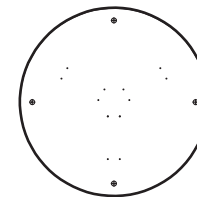
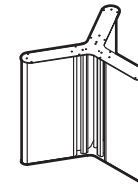


Table Top  
1 pc



Frame  
1 pc



Leg  
1 pc

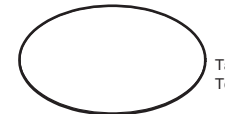
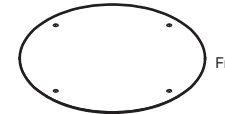
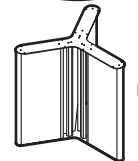


Table Top



Frame

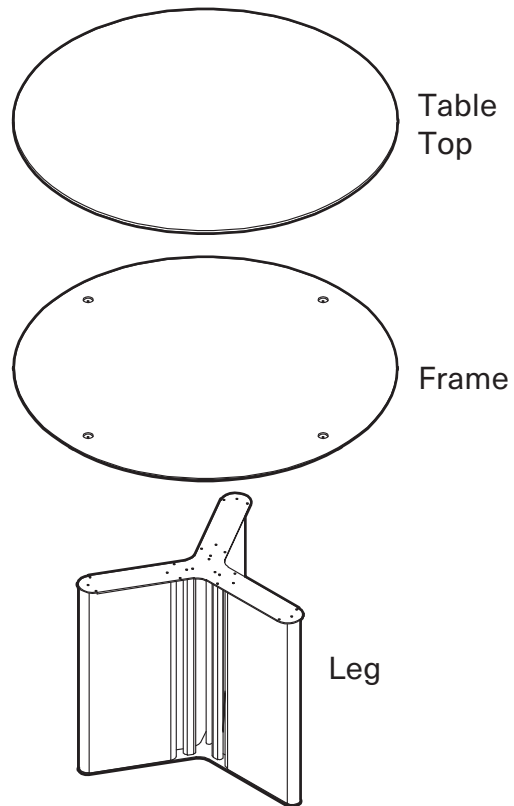


Leg

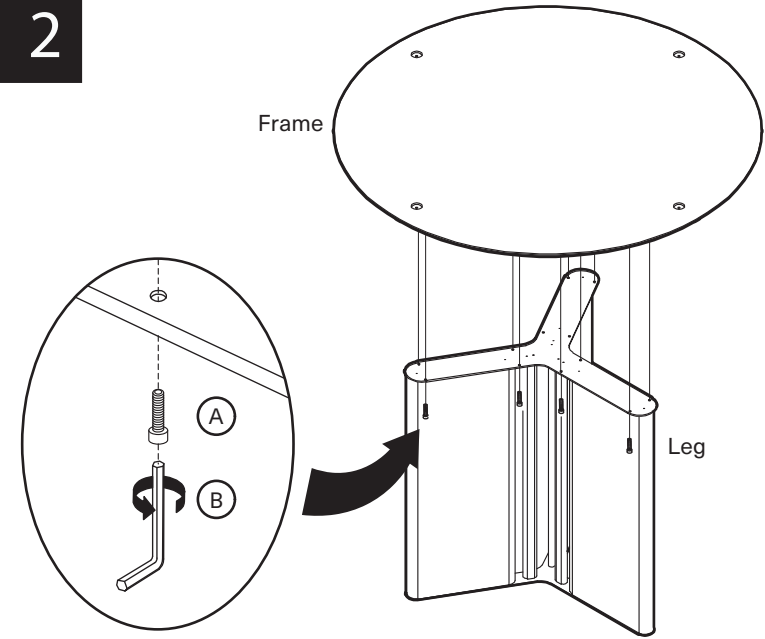
## Note

1. Assemble the item on a soft, well-lit surface like cardboard or carpet.
2. For safety and efficiency, it's best to have two or more people assist with assembly to handle heavy parts safely and collaborate effectively.
3. Keep all packaging materials intact until assembly is complete.
4. Before assembling the item, carefully read all provided instructions.
5. Handle tools with care during assembly to prevent injuries.

1



2



3

