

# KOALA





## L I V I N G

### Assembly Instruction

Product Name: Jacques Charcoal Velvet King Bed - Black Nickel Frame

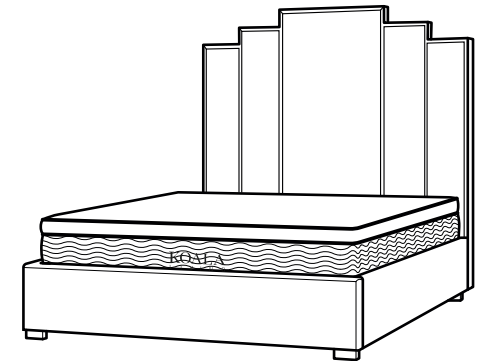
Product Id: 127765

#### Hardware List

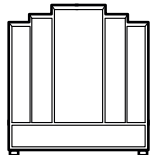



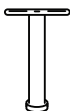



|   |   |                           |        |
|---|---|---------------------------|--------|
| A |  | Allen Wrench<br>5X66X23mm | 1 pc   |
| B |  | Allen Bolt<br>M8X35mm     | 32 pcs |
| C |  | Allen Bolt<br>M8X50mm     | 4 pcs  |
| D |  | Nut                       | 4 pcs  |

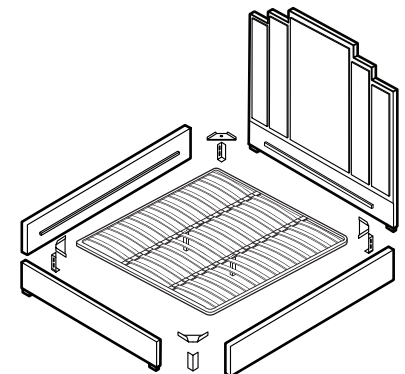
#### Note

The bolts (B) are pre-installed on the bed head, side rails, footboard and bolts (C) is on the support legs. Please unscrew them to assemble the bed.



#### Part List

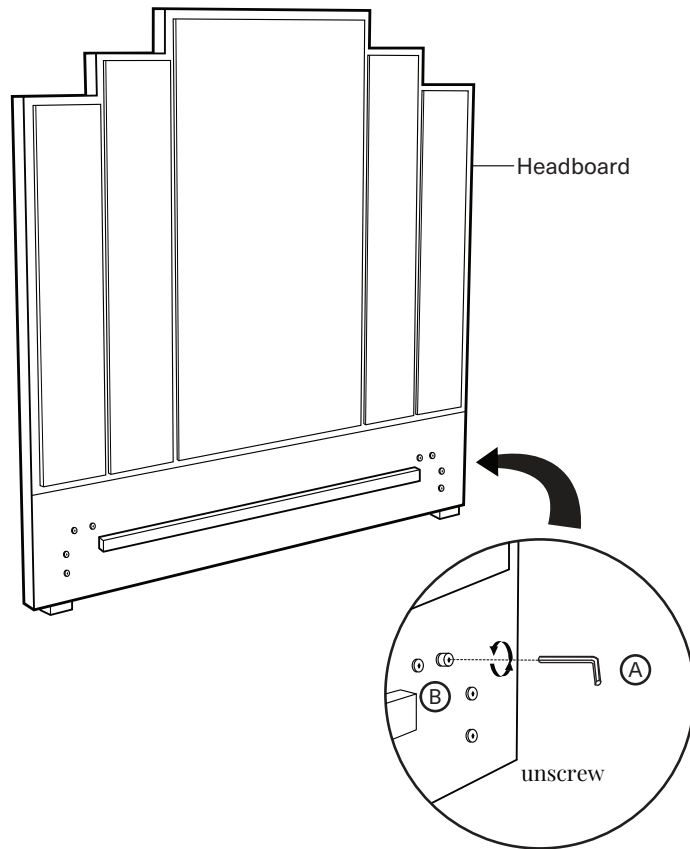
|   |   |   |   |   |  |
|---|---|---|---|---|--|
|  |  |  |   |   |  |
| 1 pc  | 1 pc  | 2 pcs   |   |   |  |
|  |  |  |  |  |  |
| 1 pc  | 2 pcs   | 2 pcs   | 2 pcs   | 4 pcs   |  |



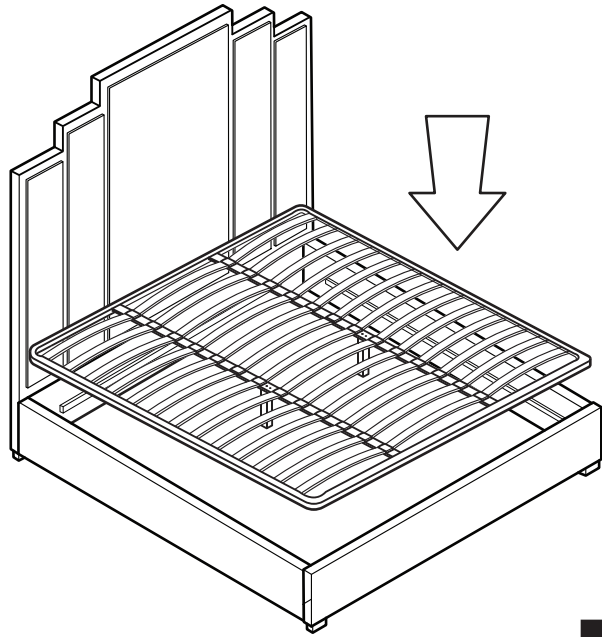
## Note

1. Assemble the item on a soft, well-lit surface like cardboard or carpet.
2. For safety and efficiency, it's best to have two or more people assist with assembly to handle heavy parts safely and collaborate effectively.
3. Keep all packaging materials intact until assembly is complete.
4. Before assembling the item, carefully read all provided instructions.
5. Handle tools with care during assembly to prevent injuries.

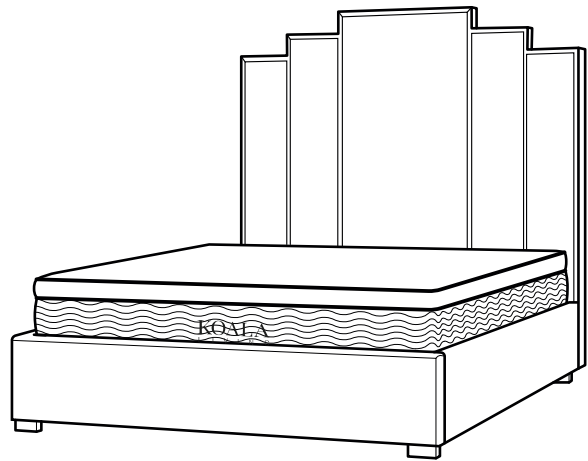
1



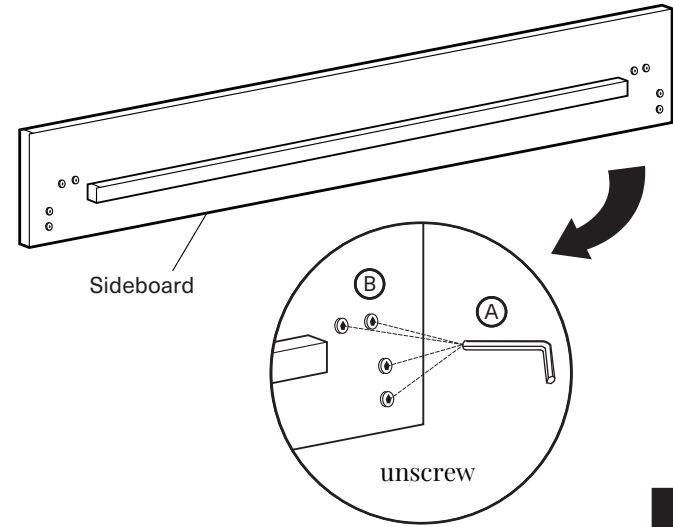
8



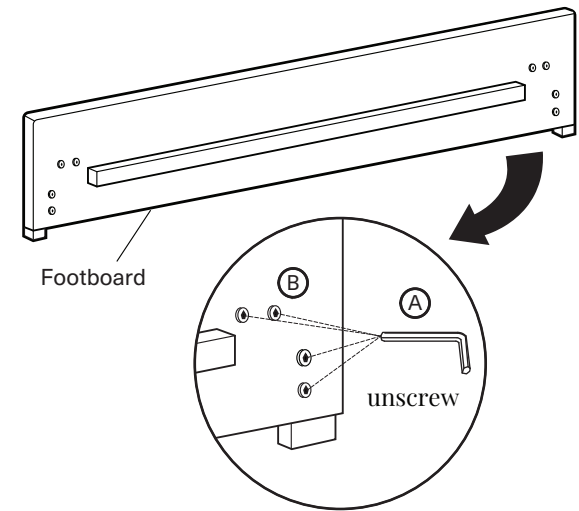
9



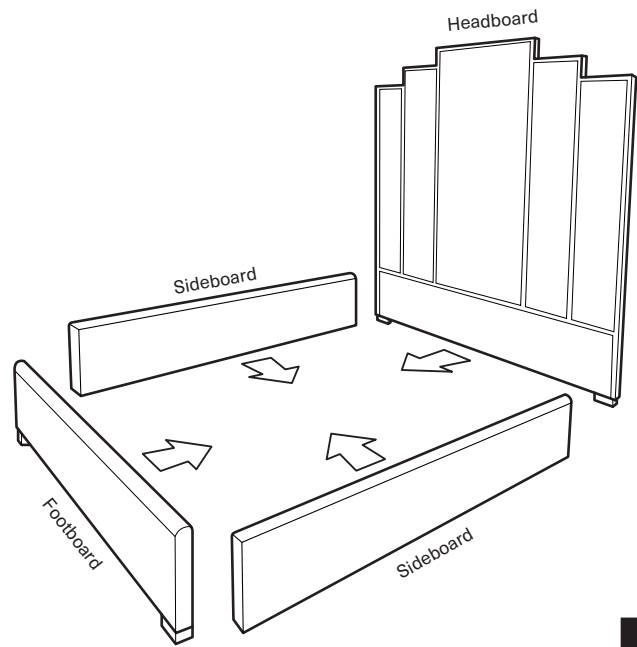
2



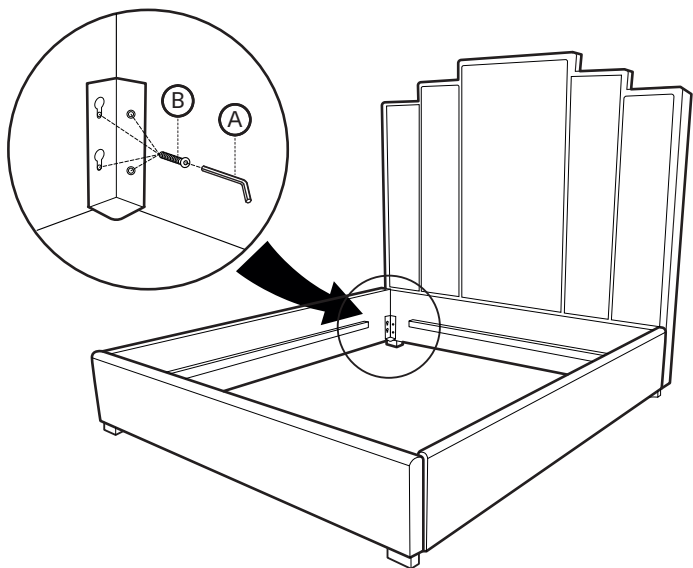
3



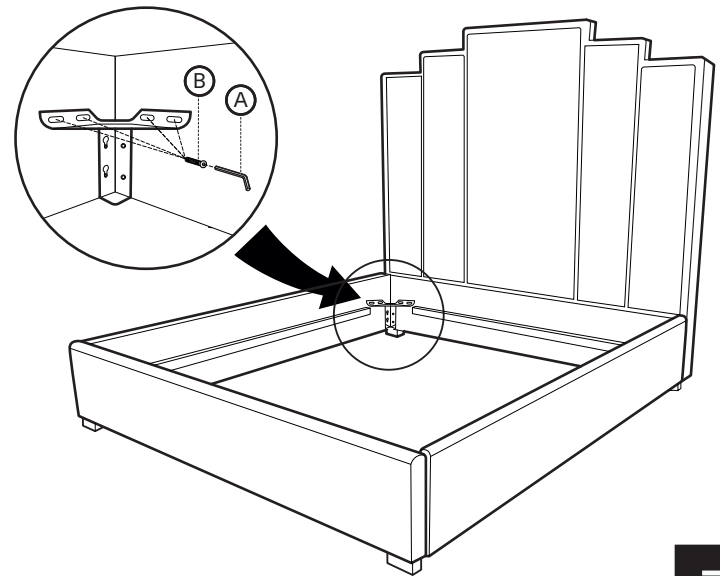
4



5



6



7

