





KOALA

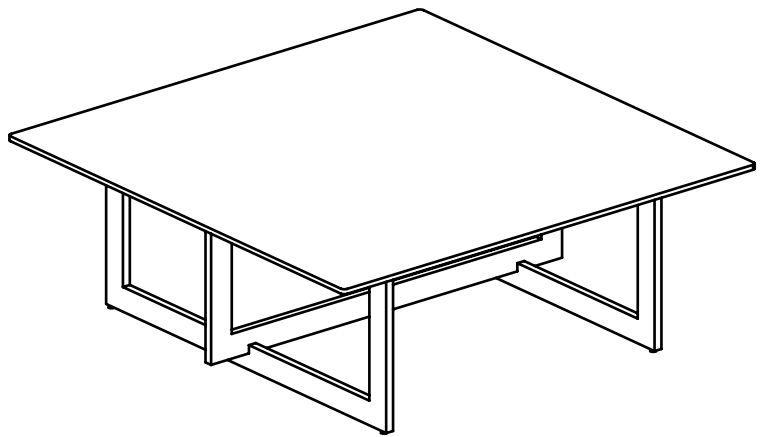
L I V I N G

Assembly Instruction

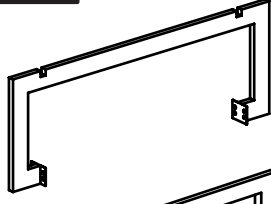


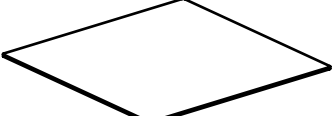
Product Name: Dianne Coffee Table

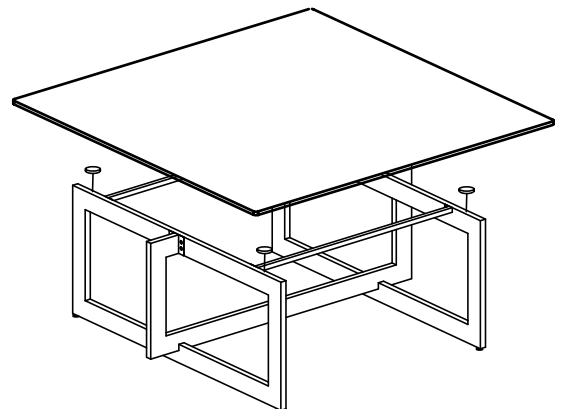
Hardware List

- | | | | |
|---|---|-----------------------|--------|
| A |  | Allen Key
5mm | 1 pc |
| B |  | Allen Bolt
M6*10mm | 12 pcs |
| C |  | Allen Bolt
M6*70mm | 2 pcs |
| D |  | Silicon Pad
12x2mm | 4 pcs |



Parts List

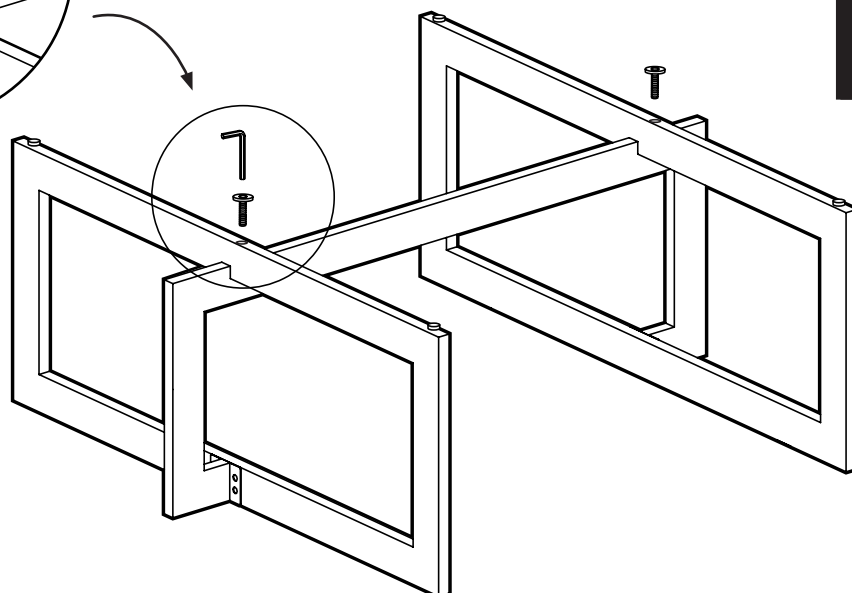
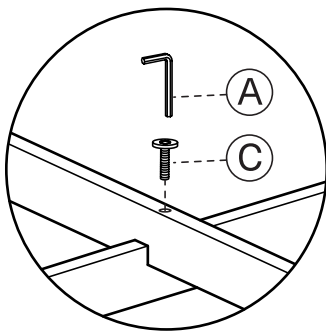
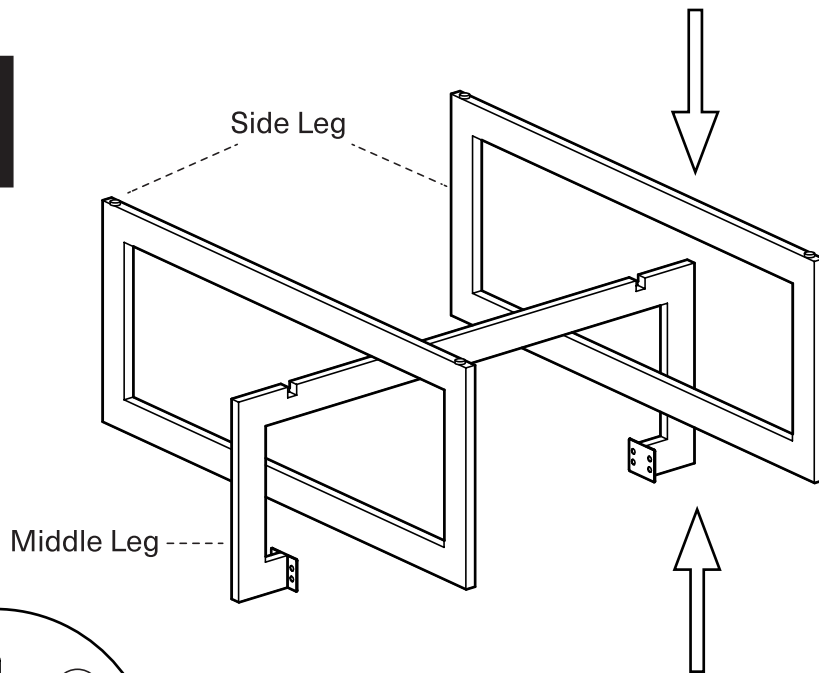
- | | | |
|------------|---|-------|
| Middle Leg |  | 1 pc |
| Side Leg |  | 2 pcs |
| Support |  | 2 pcs |
| Top |  | 1 pc |



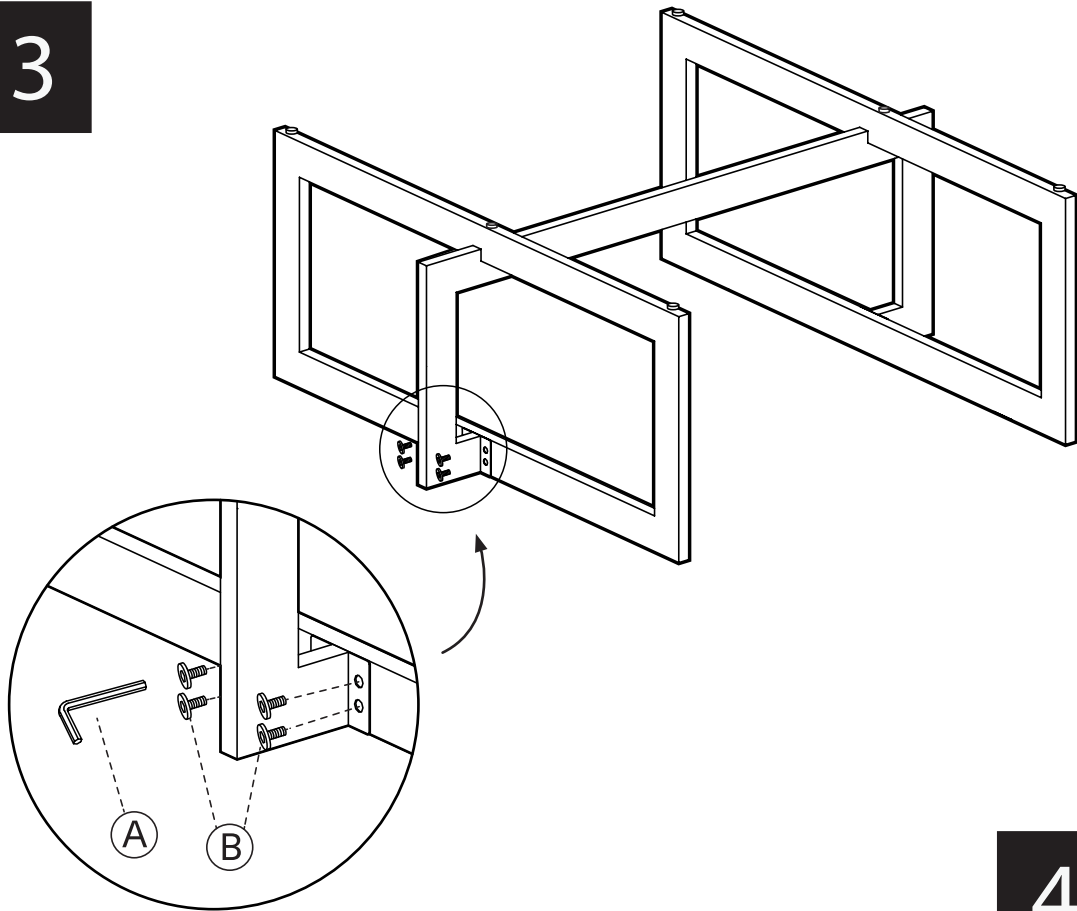
Note

1. Please check that all required hardware for assembly, as listed in the instructions, is available before beginning assembly.
2. For safety and efficiency, it's best to have two or more people assist with assembly to handle heavy parts safely and collaborate effectively.
3. Do not discard any packaging materials until assembly is complete.
4. Before assembling the item, carefully read all provided instructions.
5. Handle tools with care during assembly to prevent injuries.
6. A drill may be used, but only on a LOW setting to avoid damage.

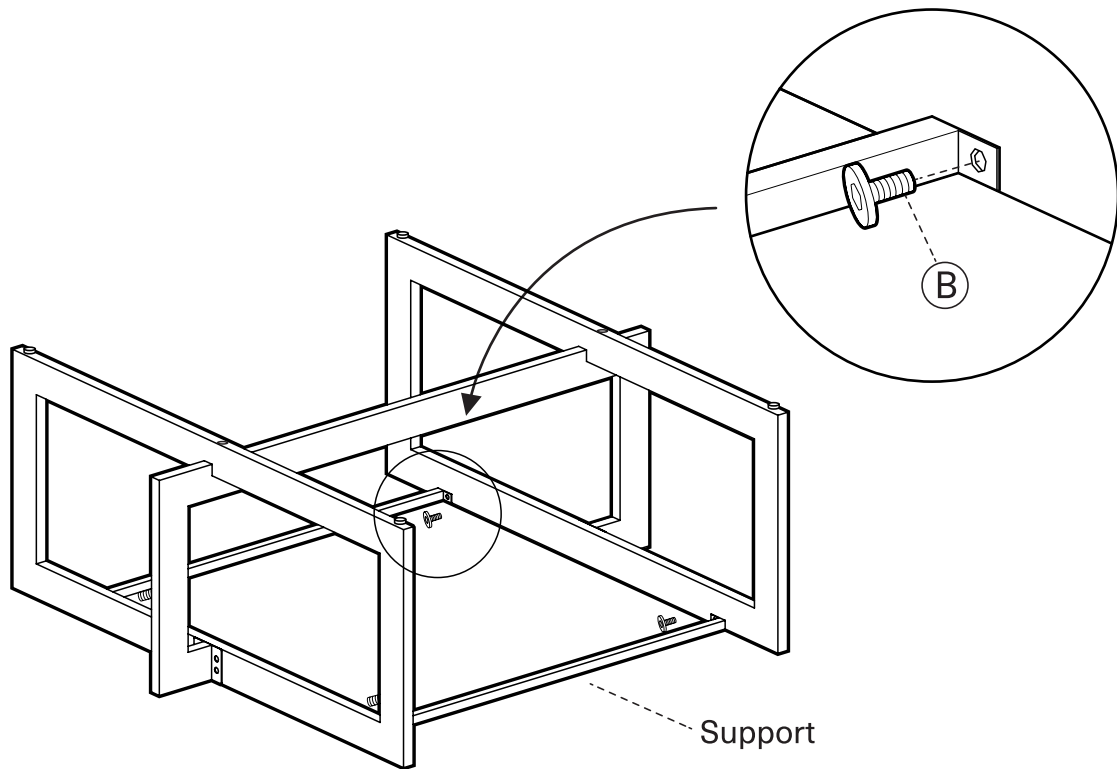
1



3

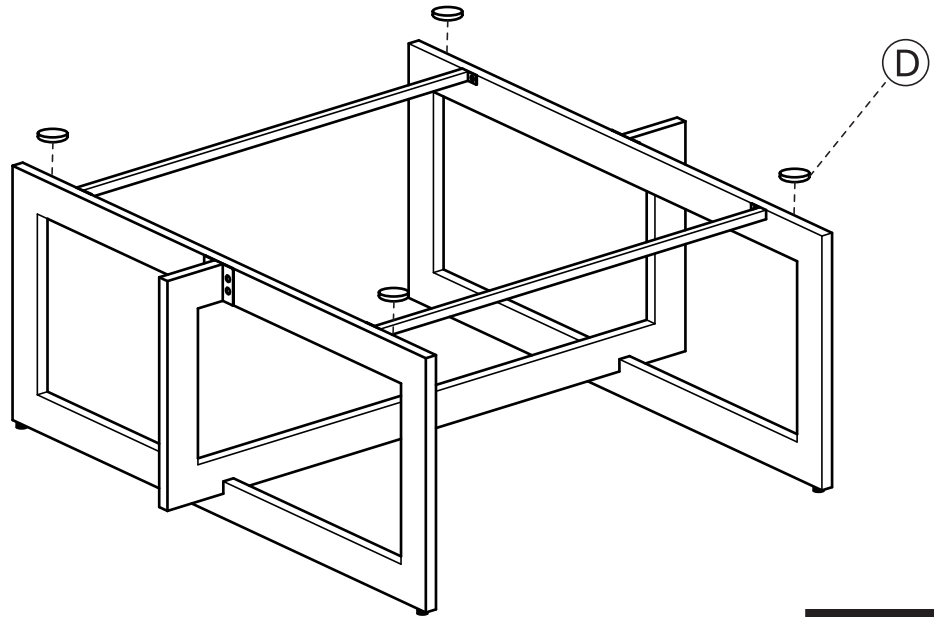
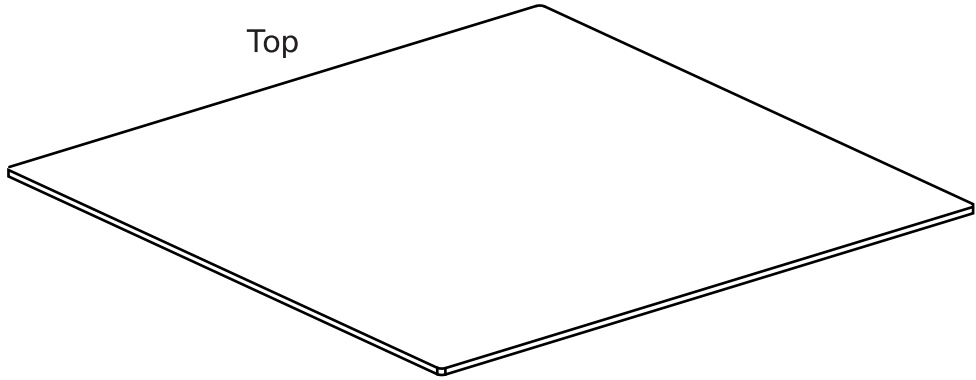
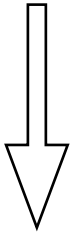


4

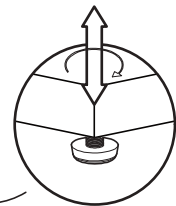
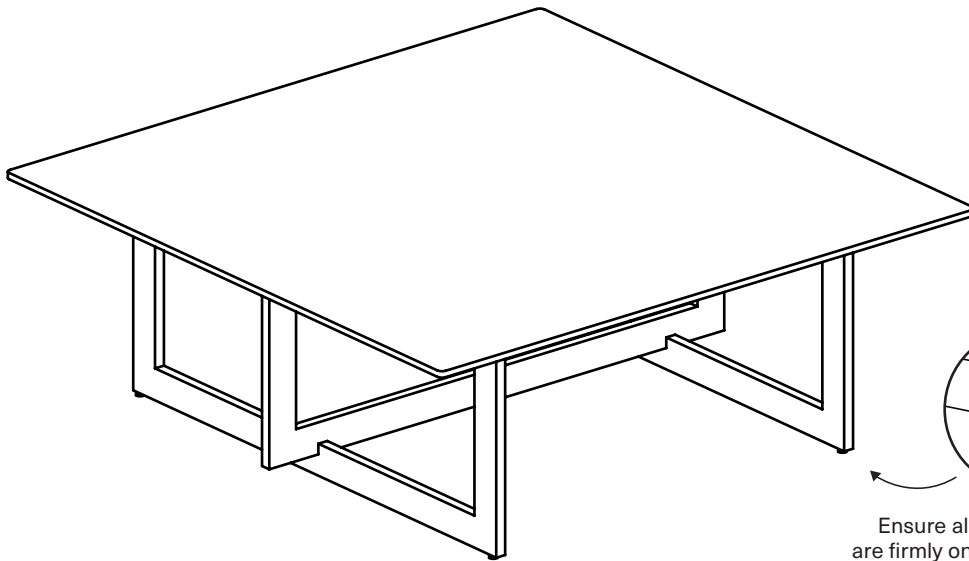


5

Top



6



Ensure all adjustable stoppers are firmly on the ground for stability