

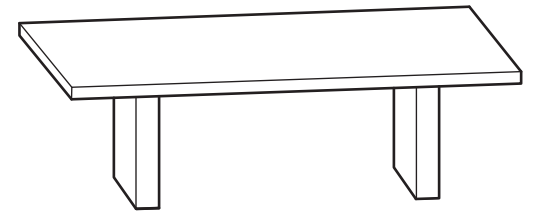
KOALA

L I V I N G


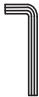

Assembly Instruction

Product Name: Port Lucienne Nero Sintered Stone Dining Table 240x118cm

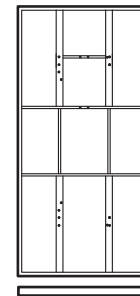
Product Id: 300398



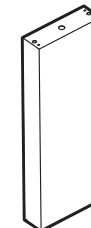
Hardware List

- | | | | |
|---|---|-------------------------|------------------|
| A |  | Threaded Rod M10*100 | 8 pcs |
| B |  | Allen Key 6mm | 1 pc +1 extra |
| C |  | Insert Nut M10*20 | 8 pcs |

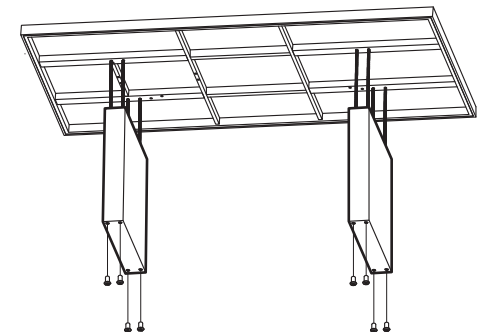
Part List



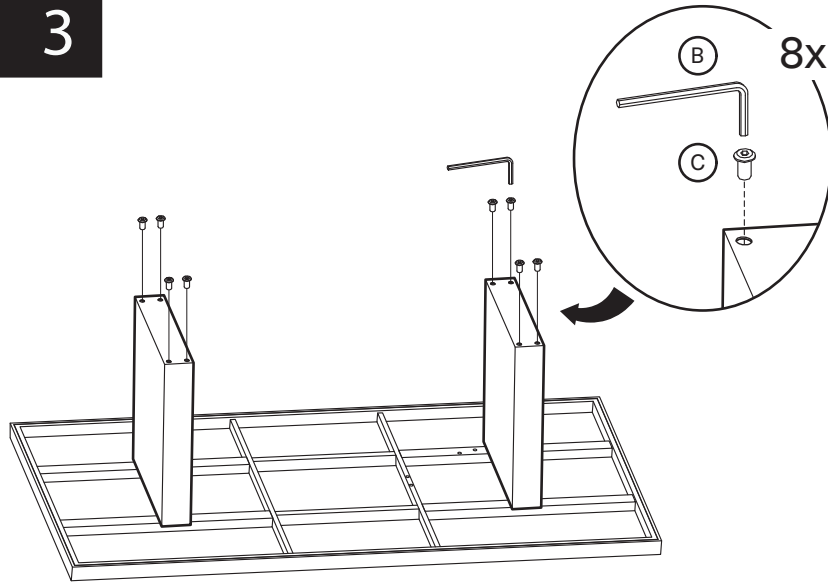
Top
1 pc



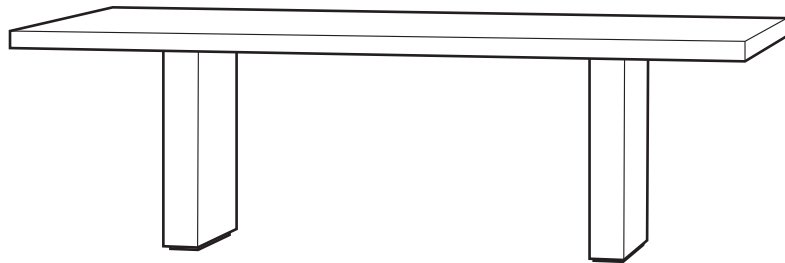
Leg
2 pcs



3



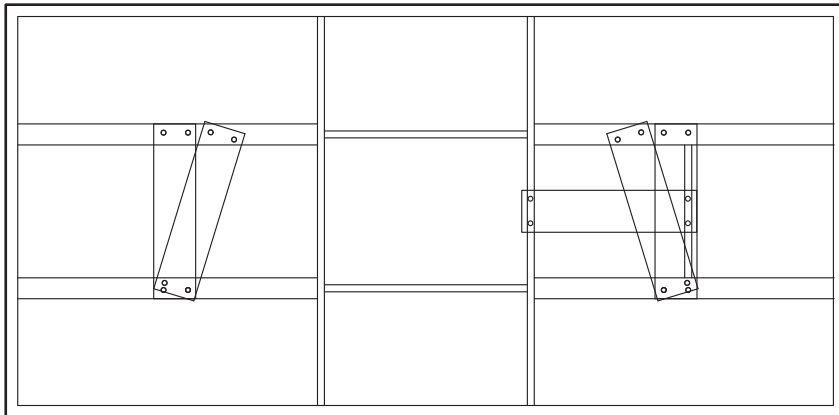
4



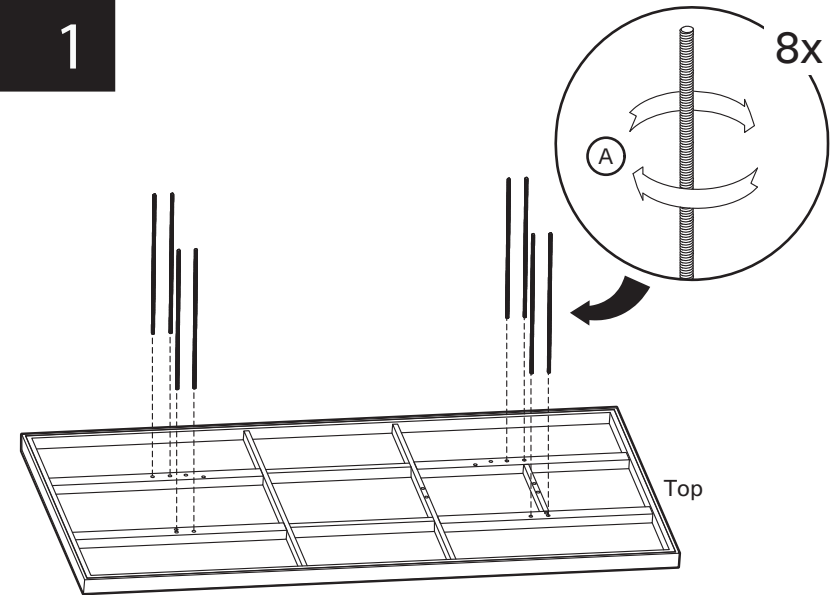
Note

1. Assemble the item on a soft, well-lit surface like cardboard or carpet.
2. For safety and efficiency, it's best to have two or more people assist with assembly to handle heavy parts safely and collaborate effectively.
3. Keep all packaging materials intact until assembly is complete.
4. Before assembling the item, carefully read all provided instructions.
5. Handle tools with care during assembly to prevent injuries.

Base Mounting Instruction



1



2

