




KOALA

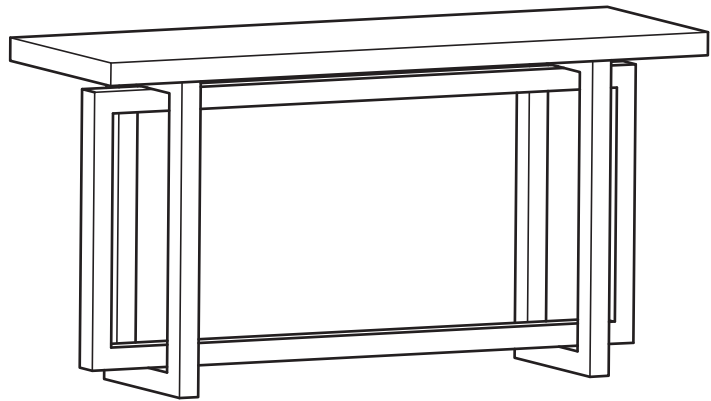
L I V I N G

Assembly Instruction

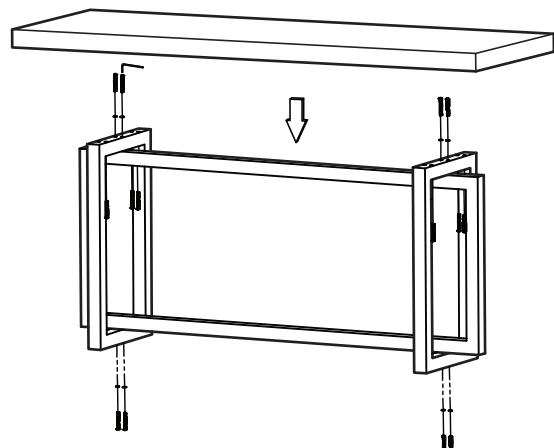
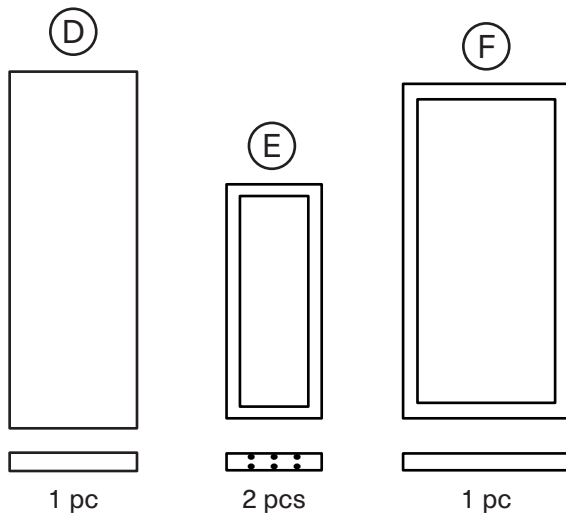
Product Name: Grayson Matte Black Console Table with Emerald Green Sintered Stone Top
Product Id: 300316

Hardware List

- A  Washer
Ø17*8 16 pcs
- B  Allen Bolt
M8*65 16 pcs
- C  Allen Key
5mm 1 pc



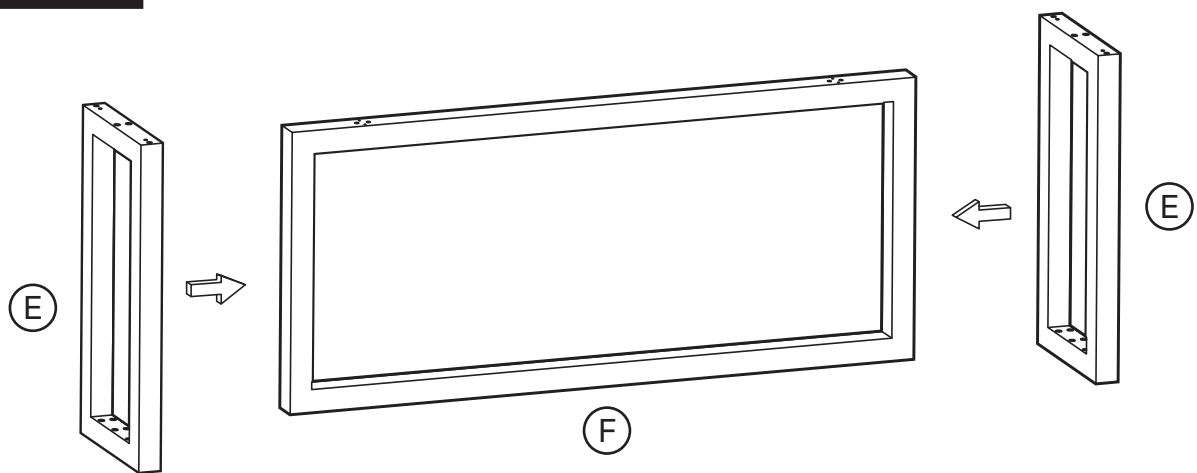
Part List



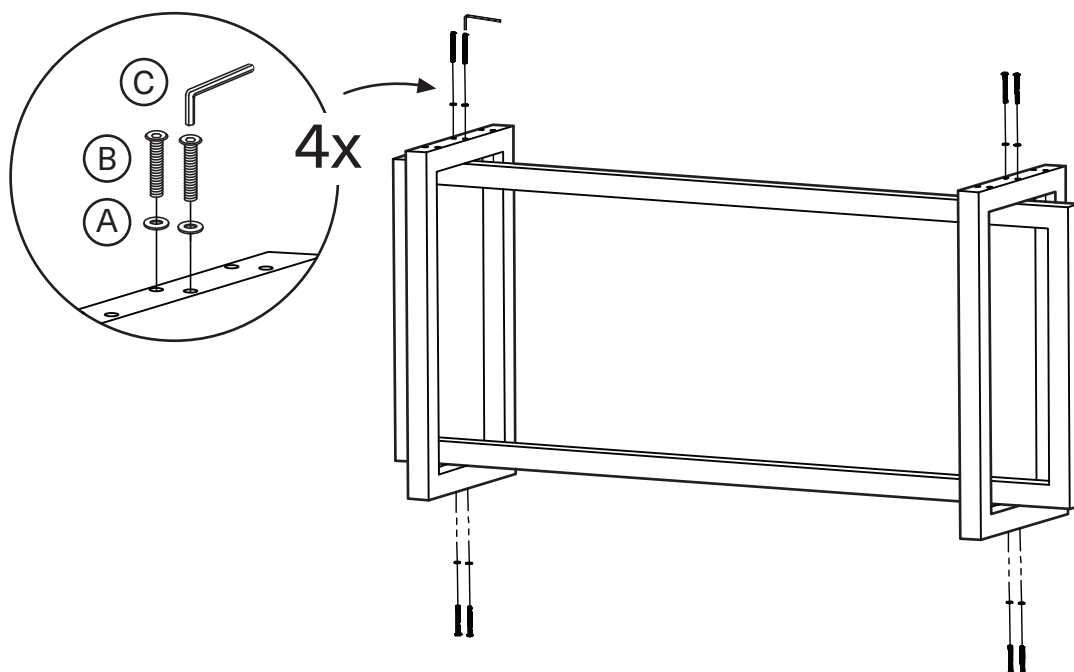
Note

1. Assemble the item on a soft, well-lit surface like cardboard or carpet.
2. For safety and efficiency, it's best to have two or more people assist with assembly to handle heavy parts safely and collaborate effectively.
3. Do not discard any packaging materials until assembly is complete.
4. Before assembling the item, carefully read all provided instructions.
5. Handle tools with care during assembly to prevent injuries.

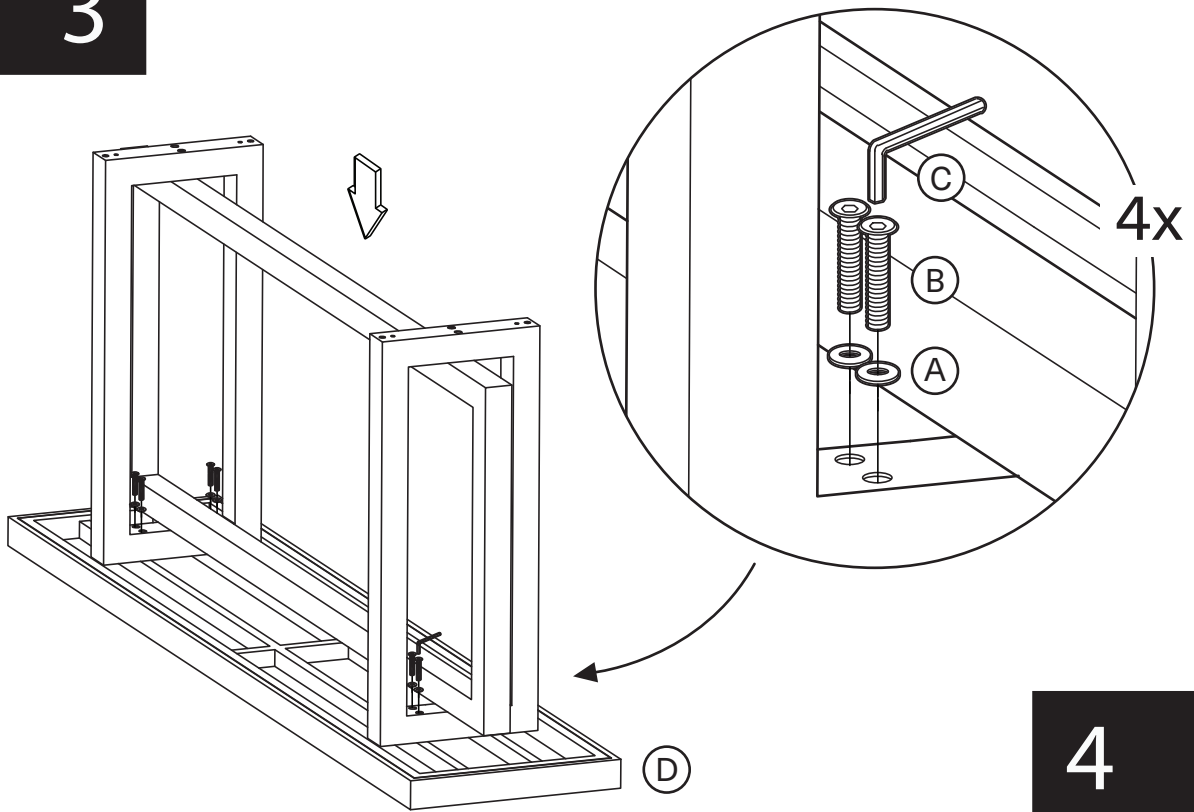
1



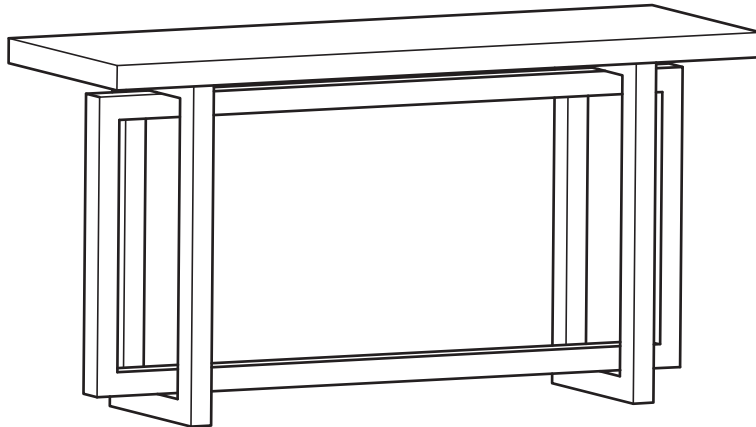
2



3



4



⚠ Warning

- ALWAYS secure this furniture with an anchor device
- NEVER allow children to stand, climb or hang on drawers, doors, or shelves
- ALWAYS secure your television with an anchor device

