

KOALA







L I V I N G

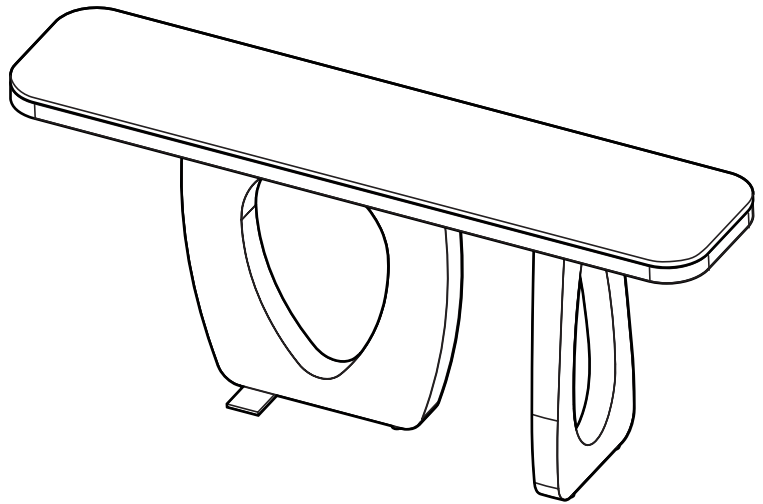
Assembly Instruction

Product Name: Aspen Matte Black Rounded Corners Console Table
White Sintered Stone Top

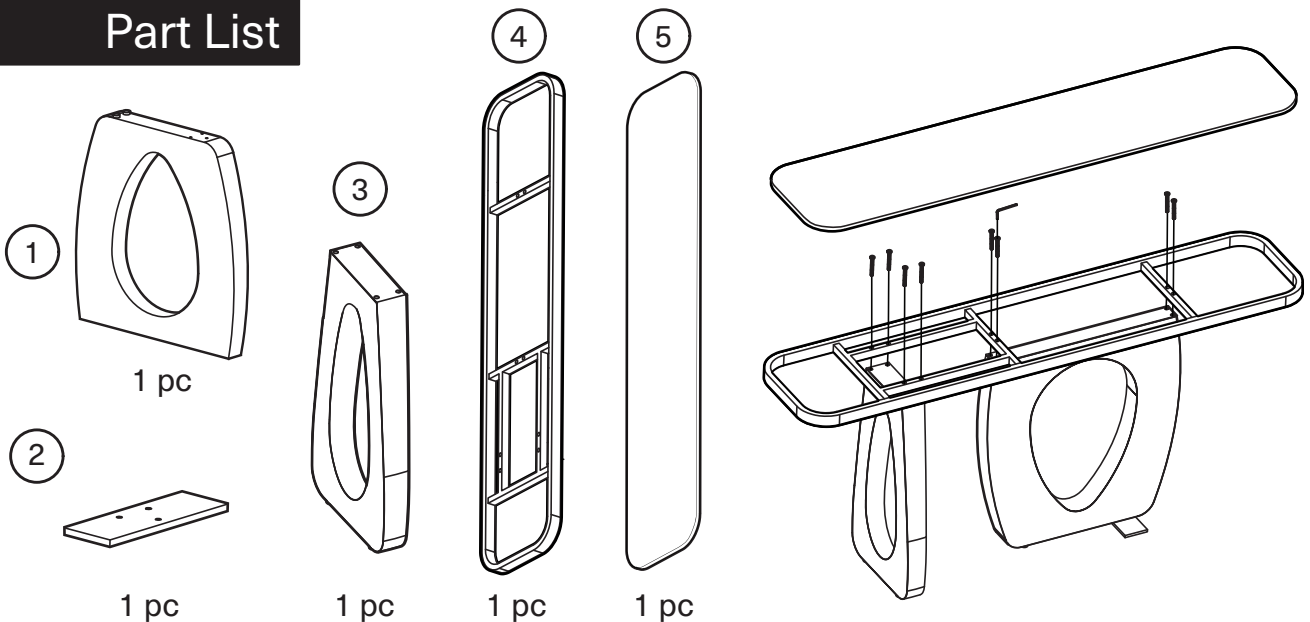
Product Id: 300607

Hardware List

A		Allen Key 5mm	1 pc
B		Allen Bolt M6x16mm	3 pcs
C		Silicone Pad Ø20x3mm	8 pcs
D		Washer 4mm	1 pc
E		Washer M8x45mm	8 pcs
F		Anti-Slip Bumper Ø6	4 pcs



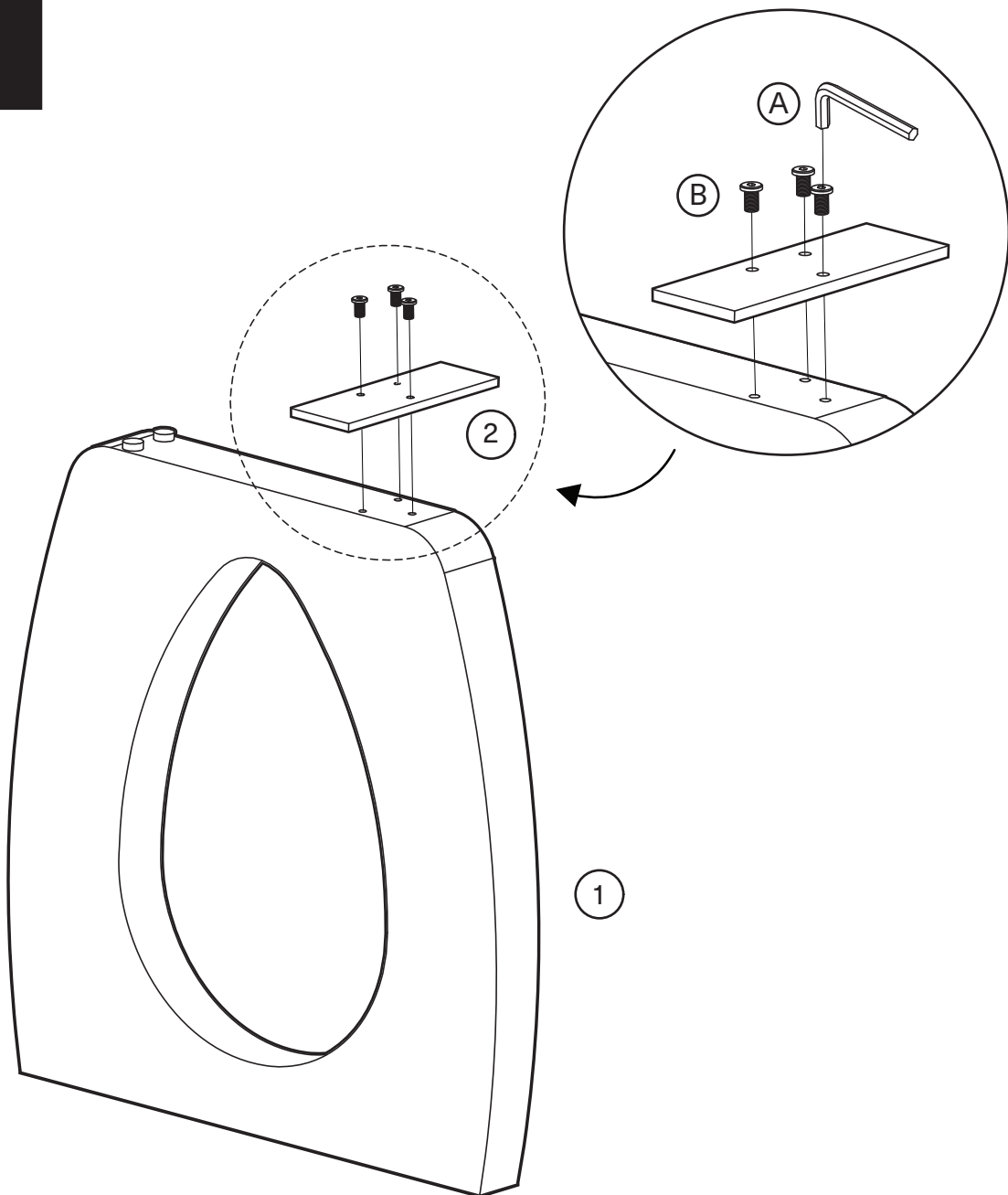
Part List



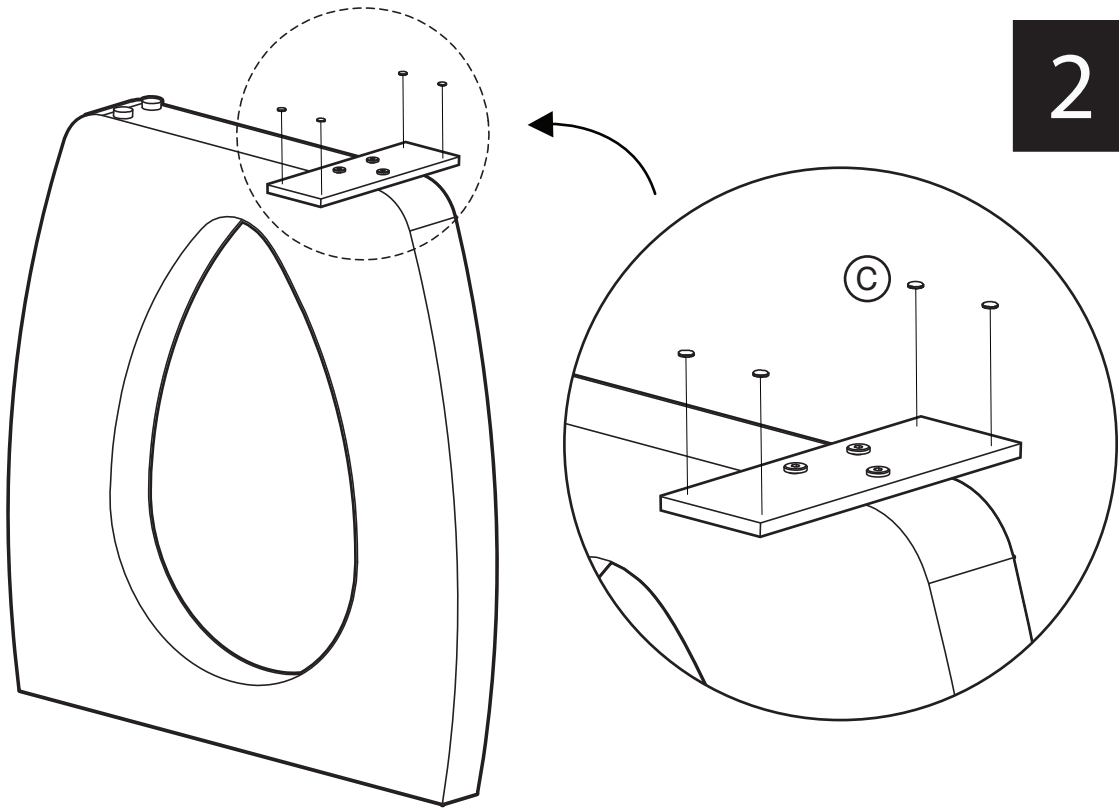
Note

1. Assemble the item on a soft, well-lit surface like cardboard or carpet.
2. For safety and efficiency, it's best to have two or more people assist with assembly to handle heavy parts safely and collaborate effectively.
3. Keep all packaging materials intact until assembly is complete.
4. Before assembling the item, carefully read all provided instructions.
5. Handle tools with care during assembly to prevent injuries.

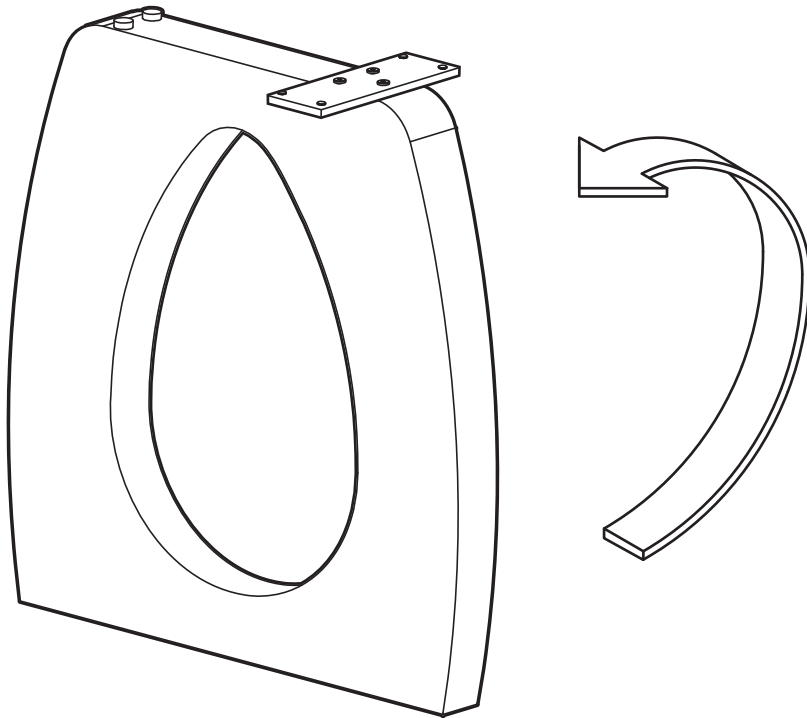
1



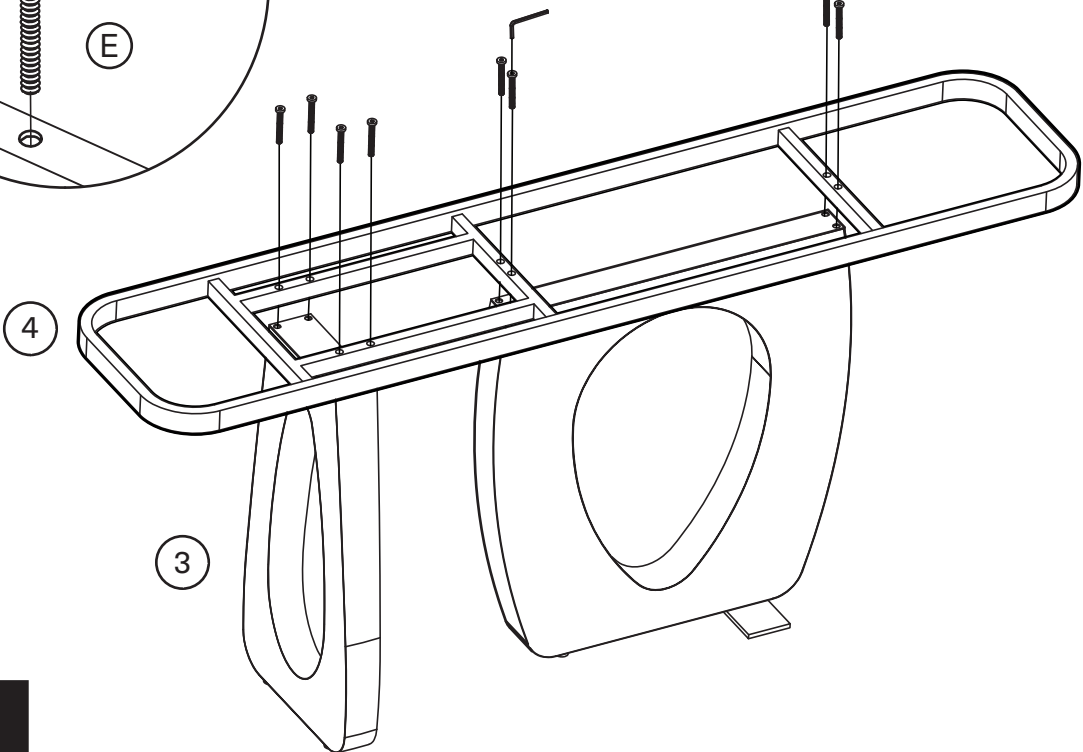
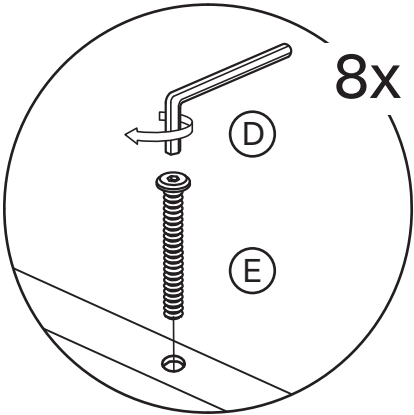
2



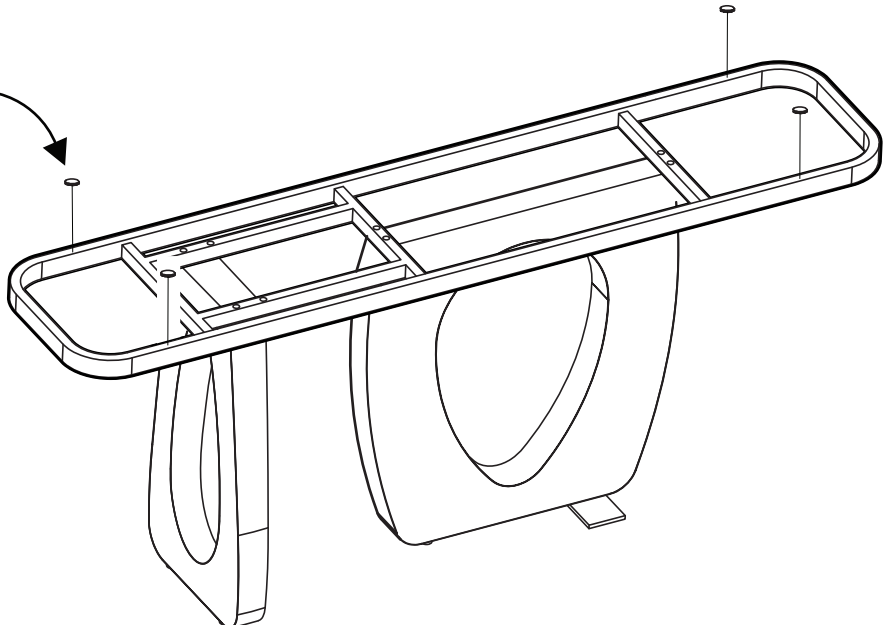
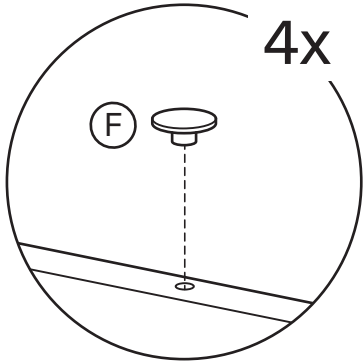
3



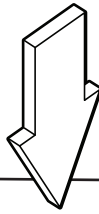
4



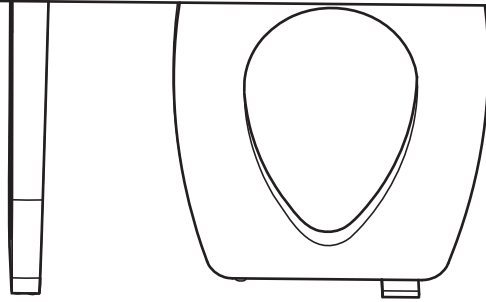
5



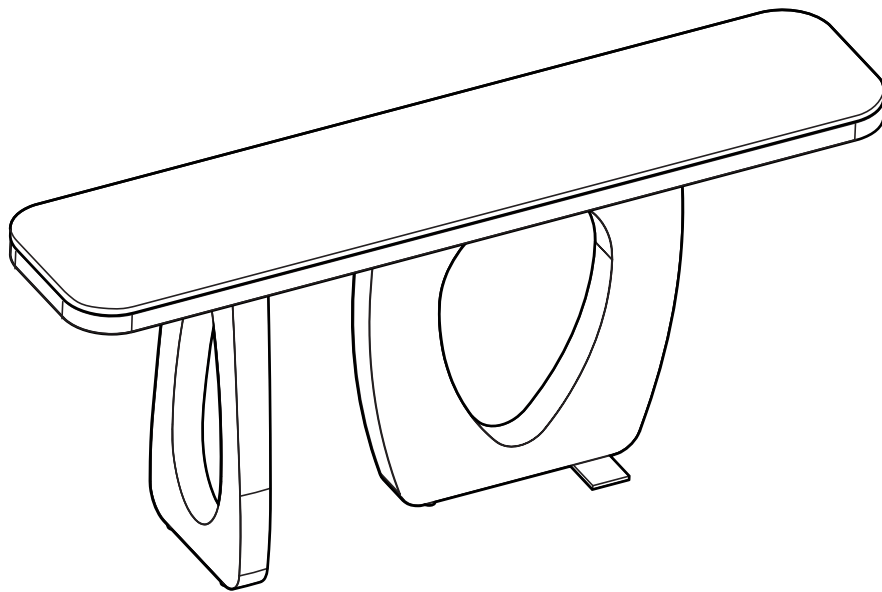
5



6



7



Warning

- ALWAYS secure this furniture with an anchor device
- NEVER allow children to stand, climb or hang on drawers, doors, or shelves
- ALWAYS secure your television with an anchor device

